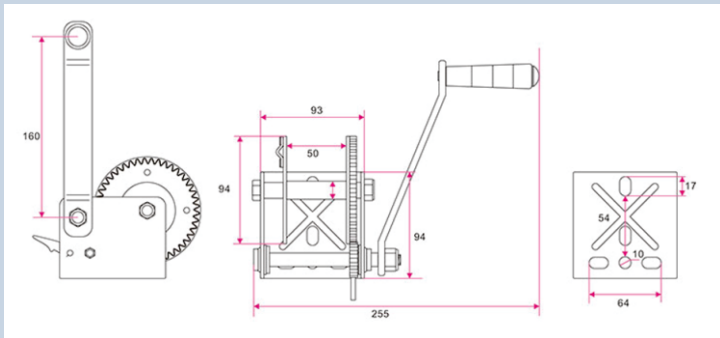


手动绞盘 hand winch



Hand winches, specification range 600-3500lbs (LBS)

- Q235 steel plate
- 6mm thickened handle to help you
- Quenching treatment, no deformation, no slip
- Bushing positioning design, do not wear capstan
- Support wire rope, ribbon, capstan rope three kinds of cable
- Supports OEM, ODM, and OBM



600/800/900LBS

Speed: 3.2:1
Rope: 4.5*10m
Ribbon: 50mm*6m

N.W: 1.79kg
Rope: 2.62kg
Ribbon: 2.13kg

Pack: 43*29*32.5cm
Pack QTY: 12

1000/1200LBS

Speed: 4.1:1
Rope: 4.8*10m
Ribbon: 50mm*10m

N.W: 2.75kg
Rope: 3.77kg
Ribbon: 3.14kg

Pack: 42.5*31.5*24.5cm
Pack QTY: 6

1400/1500/1600LBS

Speed: 4:1
Rope: 5.0*10m
Ribbon: 50mm*10m

N.W: 3.35kg
Rope: 5.16kg
Ribbon: 3.84kg

Pack: 45*38*24.5cm
Pack QTY: 6

1800LBS

Speed: 4.1:1/8:1
Rope: 5.0*10m
Ribbon: 50mm*10m

N.W: 4.25kg
Rope: 5.7kg
Ribbon: 5.15kg

Pack: 39.5*33.5*28cm
Pack QTY: 4

2000LBS

Speed: 4.1:1/8:1
Rope: 5.0*10m
Ribbon: 50mm*10m

N.W: 4.25kg
Rope: 5.6kg
Ribbon: 5.35kg

Pack: 39.5*33.5*28cm
Pack QTY: 4

2500/3500LBS

Speed: 4.1:1/8:1
Rope: 5.6*10m
Ribbon: 50mm*10m

N.W: 4.45kg
Rope: 5.6kg
Ribbon: 5.35kg

Pack: 39.5*33.5*28cm
Pack QTY: 4



Can you tell us your current requirements?